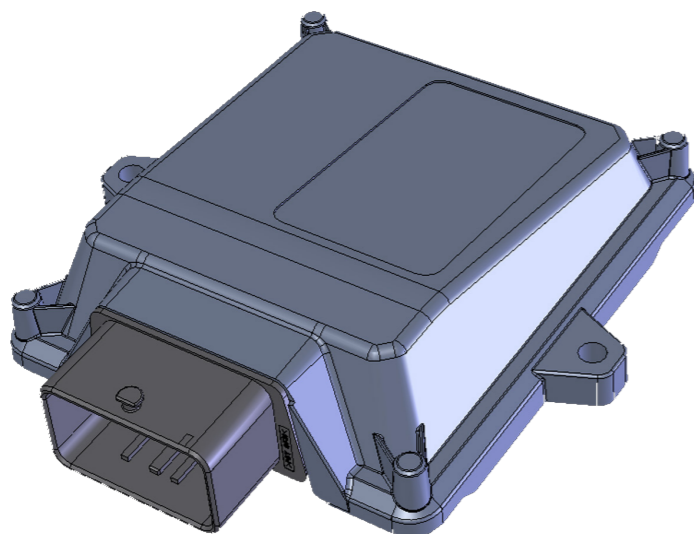


MP48 DF

4 CYL. INJECTION CONTROL UNIT INSTALLATION MANUAL



Specifiche tecniche / Technical specifications	
Tensione di alimentazione / Supply voltage	Vbatt=10÷16V
Temperatura di funzionamento / Operating temperature	-40÷120°C
Assorbimento di corrente con attuatori disattivi / Current absorption with the actuators disabled	Imax ≤0.5A
Assorbimento di corrente in modalità standby / Current absorption in standby mode	Istandby ≤5mA
Attuatori gestiti / Actuators managed	Fino a 2 iniettori con caratteristiche: Imax= 6A, Vbat max= 16V
	up to 2 injectors with the following characteristics: Imax=6A, Vbat max=16V
Uscita fili elettrovalvole gas / Wire output gas solenoid valves	Pmax=25W, Imax=2A (potenza e corrente massima per ogni uscita con due uscite attive)
	Pmax=50W, Imax=4A (potenza e corrente massima con solo una uscita attiva)
	Pmax=25W, Imax=2A (power and maximum current for each output with two outputs enabled)
	Pmax=50W, Imax=4A (power and maximum current with just one output enabled)
Sensori gestiti / Sensor managed	Sensore di temperatura gas / Gas pressure sensor: 463504000
	Sensore MAP / MAP sensor: AEB031
	Sensore di temperatura acqua / Water temperature sensor: 4K7
	Sensore di livello gas: AEB, 0-90Ohm, non standard, non standard invertito
	Gas Level sensor: AEB level sensor, 0-90Ohm standard sensor, not standard inverted sensor
Sonda Lambda / Lambda sensor	Sonda lineare / Linear (Lambda sensor)
Commutatore / Switch	Tipo AEB119B / AEB119B Type

Dove fissare la Centralina / Where to install the control unit:


- **LONTANO** da possibili **INFILTRAZIONI D'ACQUA**.
- **FAR** from any **WATER LEAKAGE**



- **LONTANO** da **ECCESSIVE FONTI DI CALORE** (esempio collettori di scarico).
- **FAR** from **EXCESSIVE HEAT SOURCES** (such as exhaust manifolds).



- **LONTANO** dai **CAVI DELL'ALTA TENSIONE**.
- **FAR** from **HIGH-VOLTAGE CABLES**.



Fare delle buone connessioni elettriche evitando l'uso dei "RUBACORRENTE".
Si tenga presente che la migliore connessione elettrica è la saldatura debitamente isolata.

Create efficient electrical connections without using any "POWER TAPS".
Properly insulated soldering is the most effective type of electrical connection.



Avvisare il cliente che in caso di rottura del fusibile dell'impianto a GAS, il Sistema ripristina i collegamenti dei dispositivi a cui è collegato. Si sconsiglia vivamente di sostituire il fusibile con un'altro di amperaggio maggiore, cio' puo' provocare danni irreparabili.

Advise the customer that if the GAS system fuse burns, the connections of the devices to which it is connected will be restored. It is strongly recommended not to replace the fuse with another one with a higher amperage rating since it may cause irreparable damage.

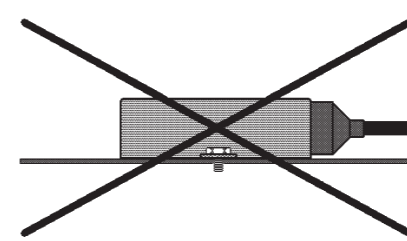
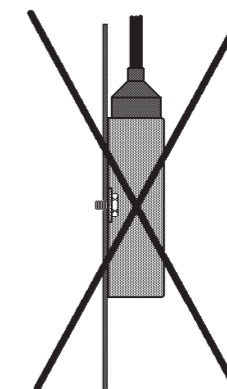


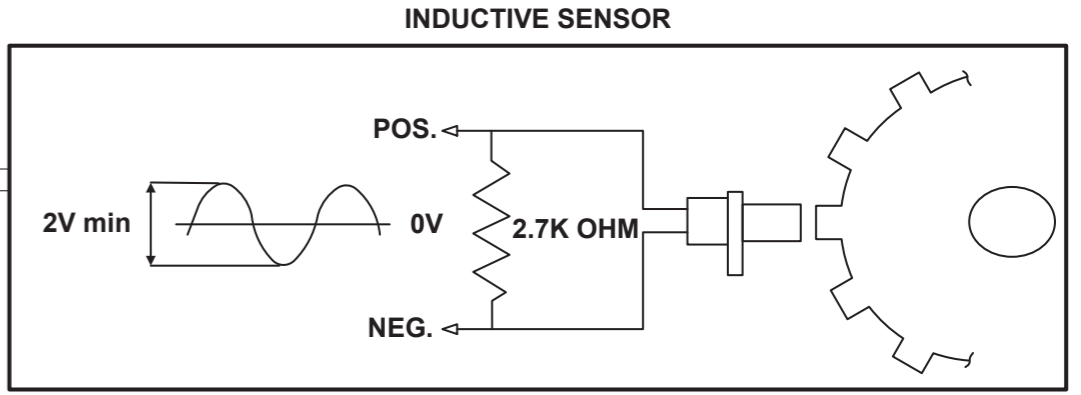
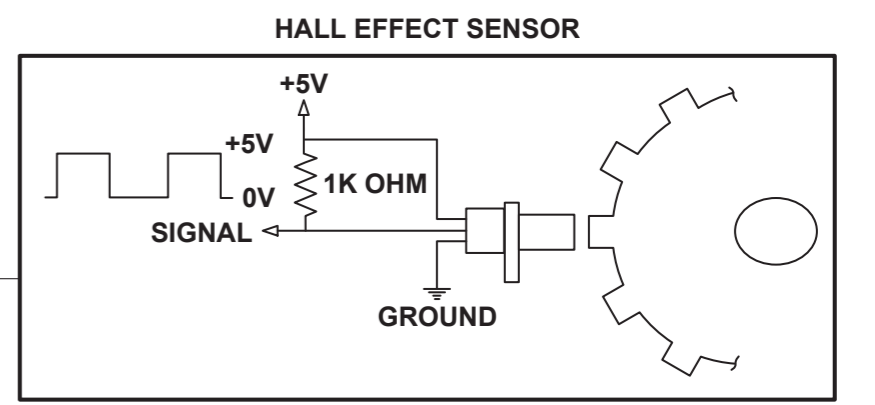
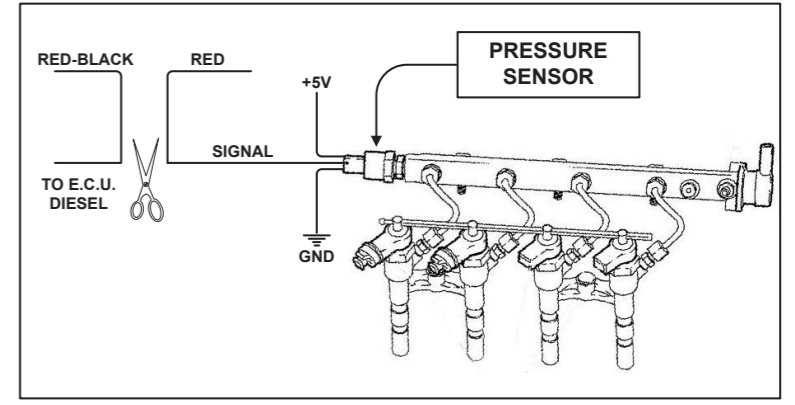
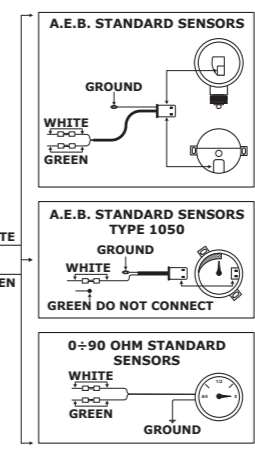
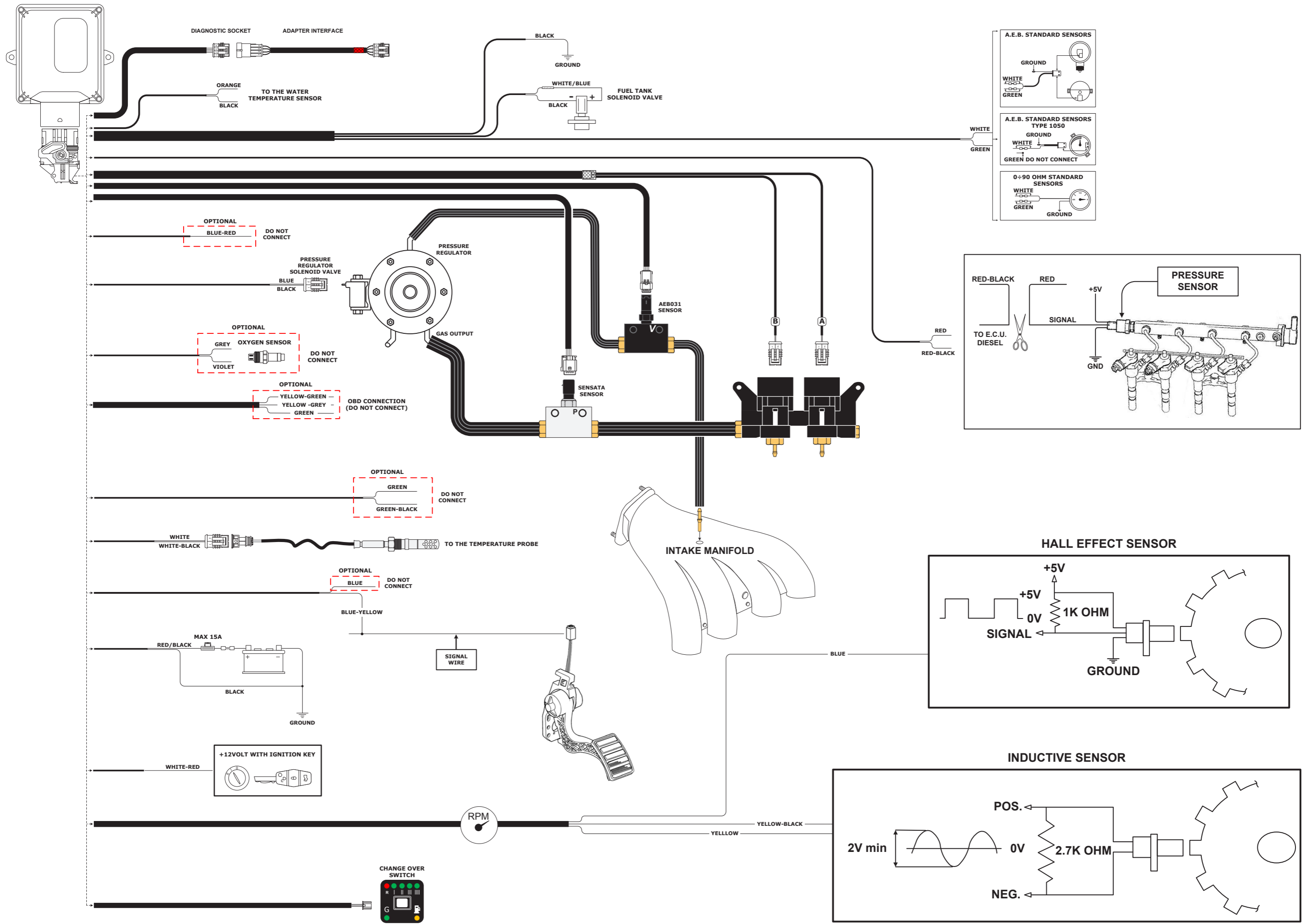
Non aprire per nessun motivo la scatola della Centralina soprattutto con il motore in moto o il quadro inserito, onde evitare danni irreparabili.

GASPART declina ogni responsabilità per danni a cose e persone derivati dalla manomissione del proprio dispositivo da parte di personale non autorizzato con la conseguente perdita di GARANZIA.

Do not open the Control Unit box for any reason, especially when the engine is running or the key is in the ignition, to avoid irreparable damage.

GASPART will not be held responsible for damage to property or injuries to persons if unauthorised personnel tamper with its devices; such tampering will also invalidate the WARRANTY.

Come fissare la Centralina/ How to install the Control Unit
INSTALLAZIONE ERRATA
INCORRECT INSTALLATION

INSTALLAZIONE ERRATA
INCORRECT INSTALLATION

INSTALLAZIONE CORRETTA
CORRECT INSTALLATION

DESCRIPTION OF THE CONNECTIONS MADE ON THE OBD CONNECTOR

Through connection to the vehicle's OBD socket, this new generation of GAS control units makes it possible to acquire information useful for properly setting up the vehicle.

Several carburetion parameters acquired from the PETROL control unit can be seen using the special software for connecting the GAS control unit to the PC, such as:

- Carburetion calibrators (Fast and Slow).
- Voltage on the rear lambda probe.

Connect a hand-held tester (CODE AEB214), and check the type of connection.

If the tester reads connection types 1,2, or 3, proceed by following the diagram in figure 1.

If the tester reads connection types 6,7,8 or 9, proceed by following the diagram in figure 2.

ATTENTION: If the tester (CODE AEB214) reads a type of connection that is not stated above, do not connect to any of the signals.

TYPE OF CONNECTION	CONNECTION DETAILS
Connection type 1	ISO 9141-2
Connection type 2	KWP-2000 Fast Init
Connection type 3	KWP-2000 Slow Init

OBD Connector seen frontal

Connect the GREEN wire to the signal found on PIN 7 of the OBD connector.
ATTENTION: The YELLOW-GREEN and YELLOW-GREY wires must be isolated and not connected.

TYPE OF CONNECTION	CONNECTION DETAILS
Connection type 6	CAN Standard 250 Kbps
Connection type 7	CAN Extended 250 Kbps
Connection type 8	CAN Standard 500 Kbps
Connection type 9	CAN Extended 500 Kbps

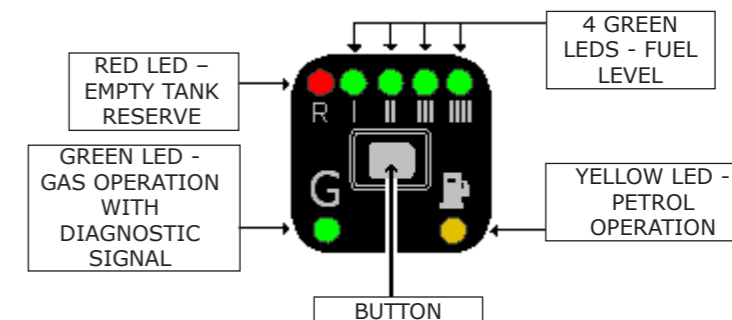
OBD Connector seen frontal

Connect the YELLOW-GREEN wire to the signal found on PIN 6 and the wire YELLOW-GREY to PIN 14 of the OBD connector.
ATTENTION: The GREEN wire must be isolated and not connected

CHANGEOVER SWITCH OPERATION

Operating description

The changeover switch supplied with the kit has one button, 7 LEDs and an internal buzzer.



BUTTON

This is used to select either the petrol or the gas fuel supply. Press the button one time to switch to gas and press it again to return to petrol.

GREEN LED FUNCTIONS

Rapid flashing – the control unit is prepared to start with petrol and switch automatically to GAS.
Steady on with yellow LED off – Gas operation.

RED LED + 4 GREEN LED FUNCTIONS

Fuel level indicator; reserve RED LED, while the 4 GREEN LEDS indicate the fuel level (1/4, 2/4, 3/4, 4/4). The indicator is illuminated only when the gas mode is selected.

YELLOW LED FUNCTIONS

Steady on with Green LED off – PETROL operation.

Steady on with flashing Green LED – the control unit is prepared to start with petrol and switch automatically to Gas.

LOW GAS PRESSURE PETROL CHANGEOVER

When the changeover switch indicates the fuel tank is in **reserve** and the gas pressure drops below a set value, the control unit automatically switches over to gas. This prevents the engine from running with an excessively lean carburetion, thus damaging the catalyser. Before returning to gas operation, fill up. The changeover switch signals the **changeover to petrol due to low gas pressure** by activating the internal buzzer, illuminating the YELLOW petrol operation LED and by illuminating the RED LED in an alternating pattern with the 4 GREEN LEDS. To make the changeover switch return to normal operation press the BUTTON one time; the YELLOW LED will remain on to indicate that the car is operating with petrol and the buzzer turns off.